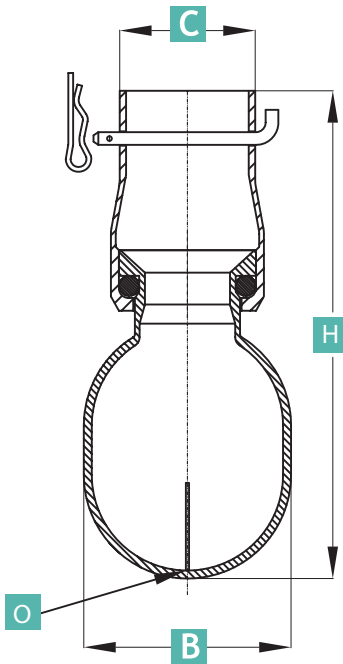


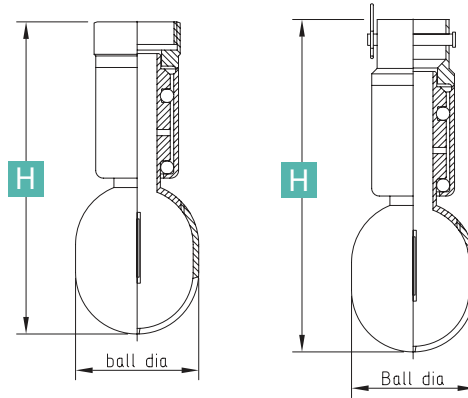
Type 6001



STANDARD SIZE/*At temperature 50°C **360° Pattern**

| SIZE | Connection | O | CC | B | H |
|------|------------|-----|------|----|-------|
| Inch | | mm | mm | mm | mm |
| 1.0" | Clip on | 1.0 | 28.5 | 45 | 131.0 |
| 1½" | Clip on | 1.0 | 42.5 | 65 | 153.0 |

Type 6002



STANDARD SIZE/*At temperature 50°C

360° Pattern

| CODE | Connection | DIN11850/ DIN11866 | | | Operating Dia | P.R. | Flow rate (m ³ /h) | Ball dia | H |
|---------|-------------|--------------------|-----------|------|---------------|------|-------------------------------|----------|-----|
| | | DIN | ISO1127 | Inch | | | | | |
| 6008049 | Slip on | 12/13 | 13.5 | 1/2" | 1.2-1.6 | 2.6 | 3.5 | 45 | 102 |
| 6008050 | Slip on | 18/19 | 17.2/21.3 | 3/4" | 1.8-2.0 | 4.1 | 3.5 | 45 | 115 |
| 6008051 | G BSP G1/4" | 13 | 13.5 | 1/2" | 1.2-1.6 | 2.6 | 3.5 | 45 | 102 |
| 6008052 | G BSP G1/2" | 19 | 17.2/21.3 | 3/4" | 1.8-2.0 | 4.1 | 3.5 | 45 | 115 |

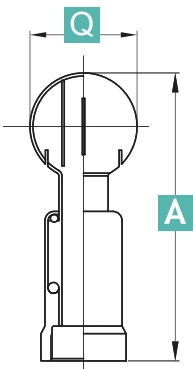
The welded type is similar to slip on, only 316L is available. Hole \varnothing 1.25mm

| CODE | Connection | DIN11850/ DIN11866 | | | Operating Dia | P.R. | Flow rate (m ³ /h) | Ball dia | H |
|---------|-------------|--------------------|---------|------|---------------|------|-------------------------------|----------|-----|
| | | DIN | ISO1127 | Inch | | | | | |
| 6008053 | Slip on | 28/29 | 26.9 | 1" | 2.4-2.6 | 4.2 | 5.9 | 45 | 120 |
| 6008054 | Slip on | 40/41 | 33.7 | 1/2" | 3.5-4.0 | 11 | 15 | 65 | 150 |
| 6008055 | G BSP G3/4" | 29 | 26.9 | 1" | 2.4-2.6 | 4.2 | 5.9 | 45 | 120 |
| 6008056 | G BSP G1" | 41 | 33.7 | 1/2" | 3.5-4.0 | 11 | 15 | 65 | 150 |

The welded type is similar to slip on, only 316L is available.



Type 6003

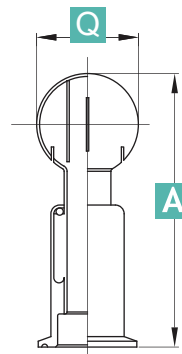


Threaded Rotary Cleaning Ball

| SIZE | A | Q |
|----------|-------|------|
| 1" | 140.0 | 51.0 |
| 1.0-1/4" | 160.0 | 63.0 |
| 1-1/2" | 170.0 | 63.0 |
| 2" | 192.0 | 76.0 |
| 2"-1/2" | 220.0 | 91.0 |

Technical Data

| SIZE | Pressure (bar) | Cleaning radius(m) | Fluxation m ³ /h |
|---------|----------------|--------------------|-----------------------------|
| 1"-1.5" | 2 | 1.25 | 12 |
| 2" | 2 | 1.5 | 38 |
| 2.5" | 2 | 2.0 | 38 |

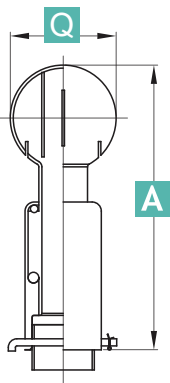


Clamped Rotary Cleaning Ball

| SIZE | A | Q |
|----------|-------|------|
| 1" | 138.0 | 53.0 |
| 1.0-1/4" | 138.0 | 53.0 |
| 1-1/2" | 138.0 | 53.0 |
| 2" | 168.0 | 63.0 |
| 2"-1/2" | 190.0 | 76.0 |

Technical Data

| SIZE | Pressure (bar) | Cleaning radius(m) | Fluxation m ³ /h |
|---------|----------------|--------------------|-----------------------------|
| 1"-1.5" | 2 | 1.25 | 12 |
| 2" | 2 | 1.5 | 38 |
| 2.5" | 2 | 2.0 | 38 |

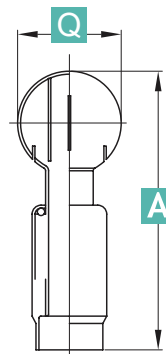


Bolted Rotary Cleaning Ball

| SIZE | A | Q |
|----------|-------|------|
| 1" | 135.0 | 53.0 |
| 1.0-1/4" | 137.0 | 53.0 |
| 1-1/2" | 137.0 | 53.0 |
| 2" | 168.0 | 63.0 |
| 2"-1/2" | 190.0 | 76.0 |

Technical Data

| SIZE | Pressure (bar) | Cleaning radius(m) | Fluxation m ³ /h |
|---------|----------------|--------------------|-----------------------------|
| 1"-1.5" | 2 | 1.25 | 12 |
| 2" | 2 | 1.5 | 38 |
| 2.5" | 2 | 2.0 | 38 |



Welded Rotary Cleaning Ball

| SIZE | A | Q |
|----------|-------|------|
| 1" | 143.0 | 53.0 |
| 1.0-1/4" | 145.0 | 53.0 |
| 1-1/2" | 145.0 | 53.0 |
| 2" | 180.0 | 63.0 |
| 2"-1/2" | 200.0 | 76.0 |

Technical Data

| SIZE | Pressure (bar) | Cleaning radius(m) | Fluxation m ³ /h |
|---------|----------------|--------------------|-----------------------------|
| 1"-1.5" | 2 | 1.25 | 12 |
| 2" | 2 | 1.5 | 38 |
| 2.5" | 2 | 2.0 | 38 |